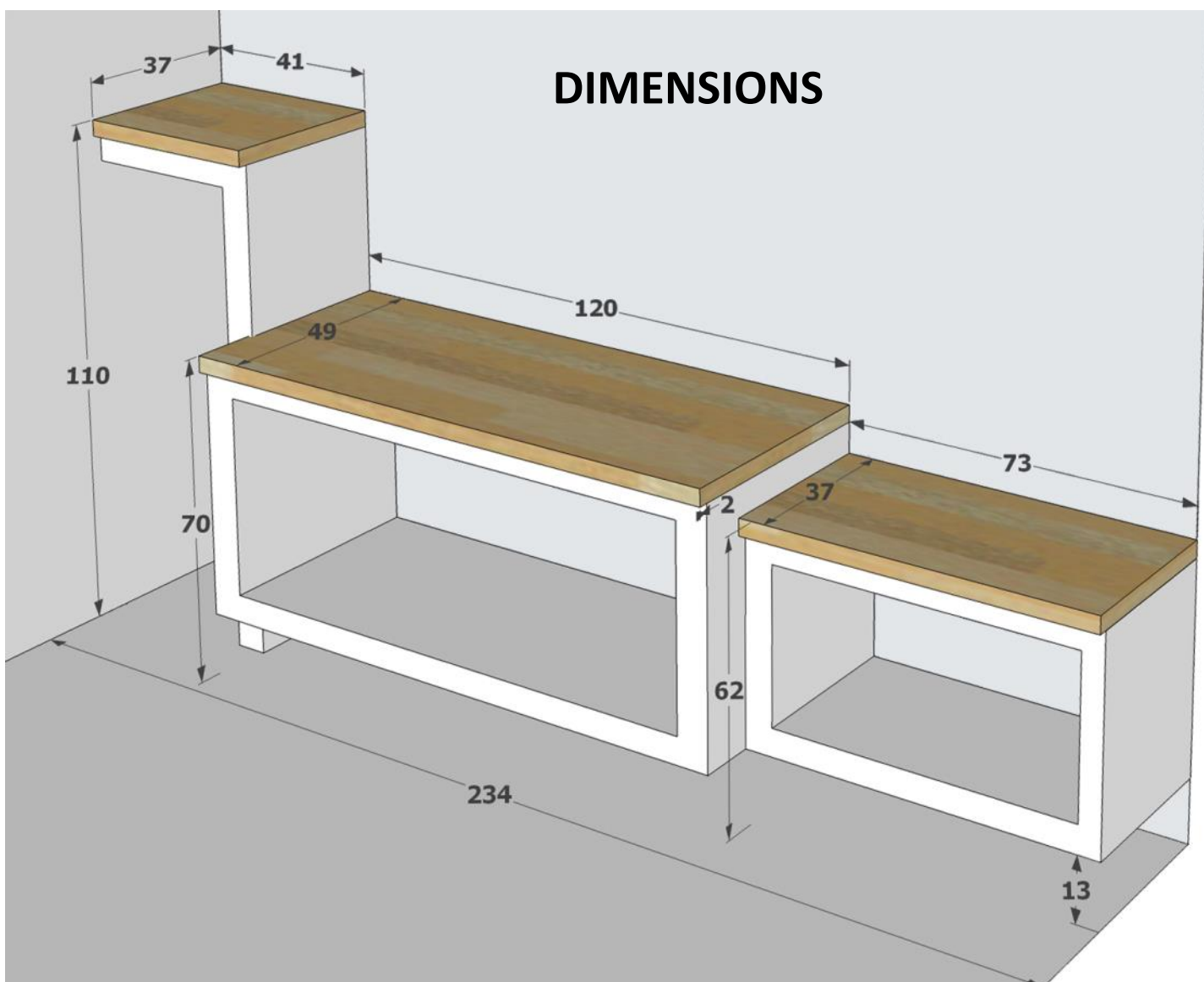


# CREATE A BATHROOM VANITY UNIT

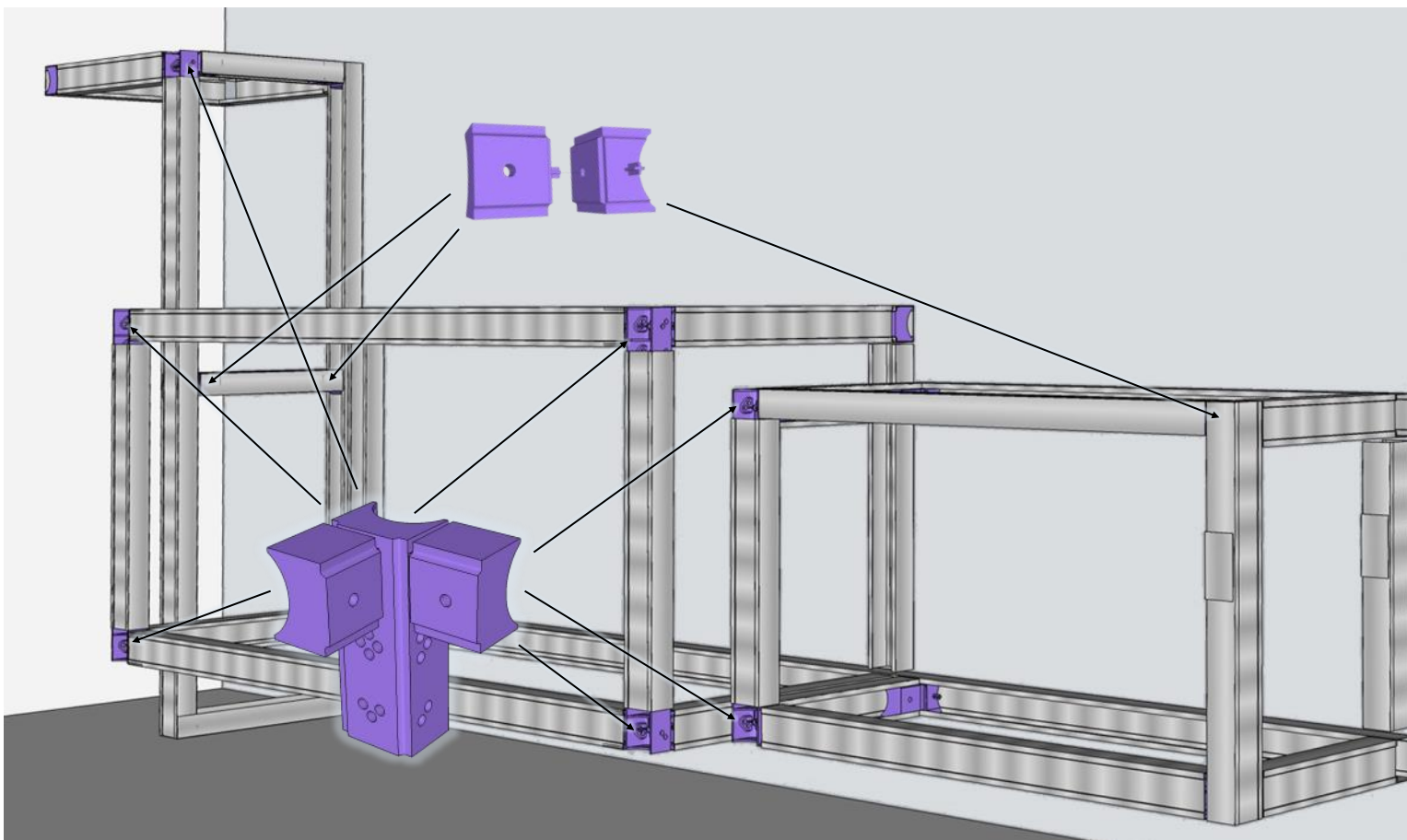
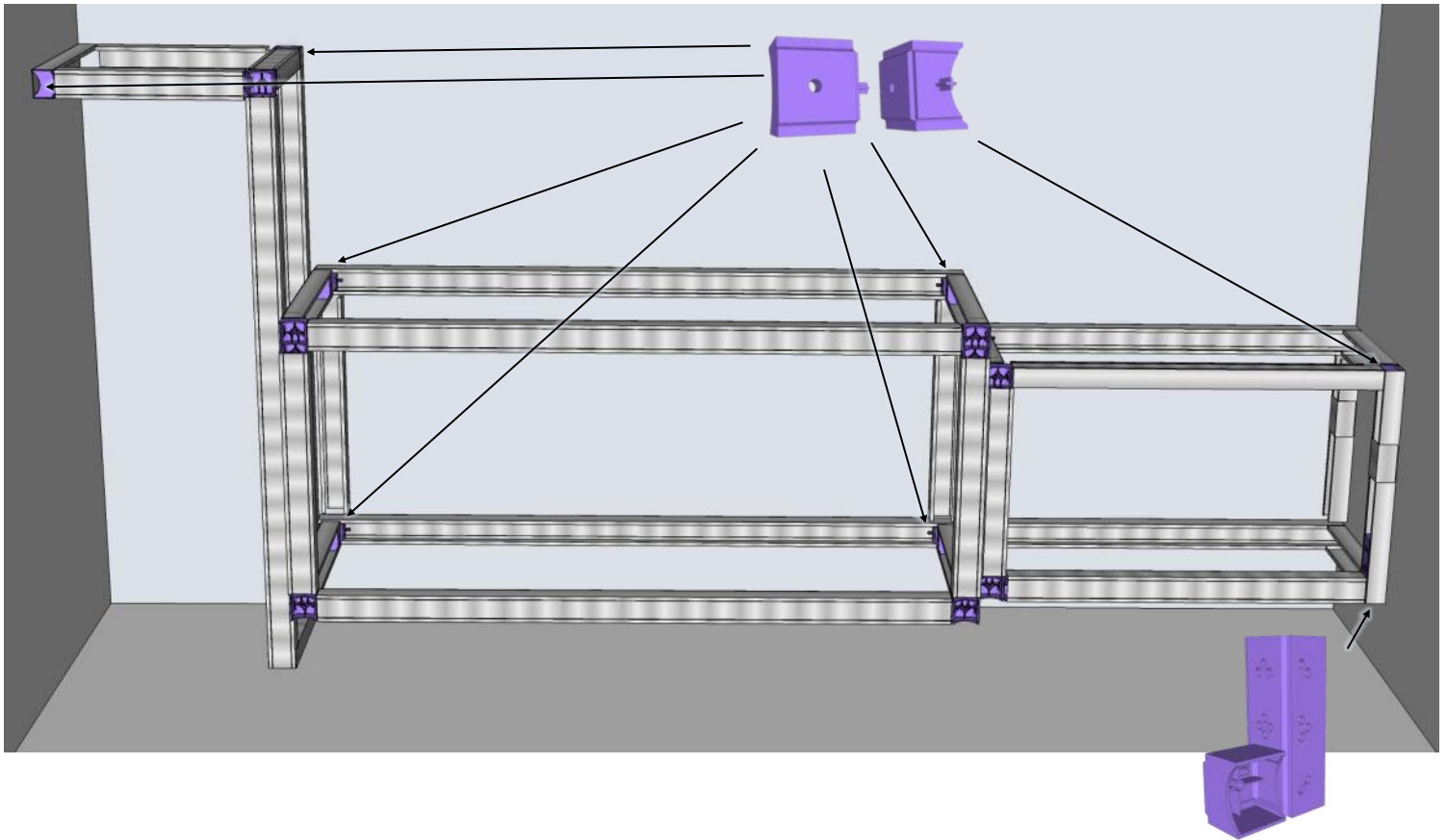


[www.kinook.biz](http://www.kinook.biz)

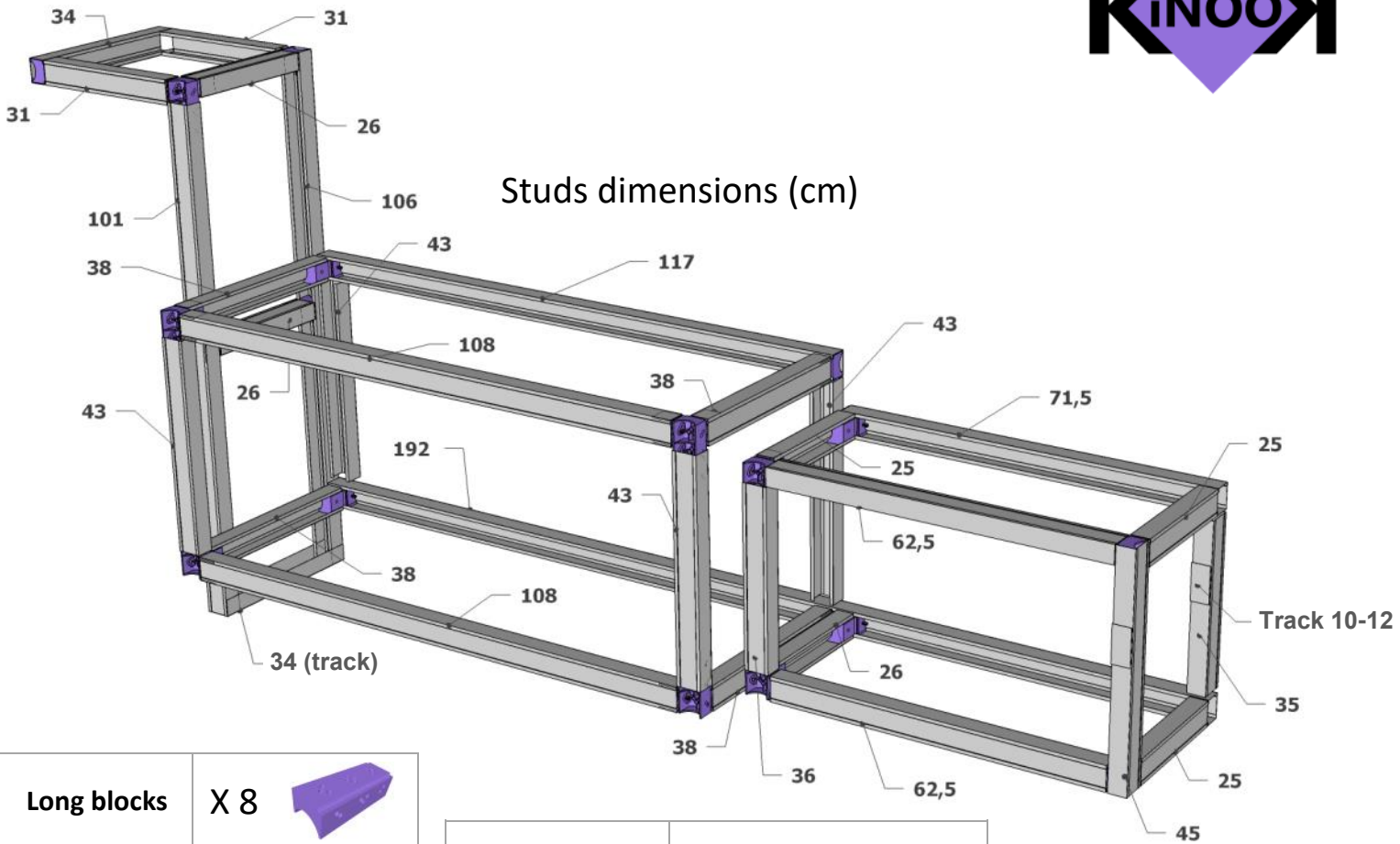


These dimensions are given as an example, adapt them to your environment and your needs.



# STRUCTURE



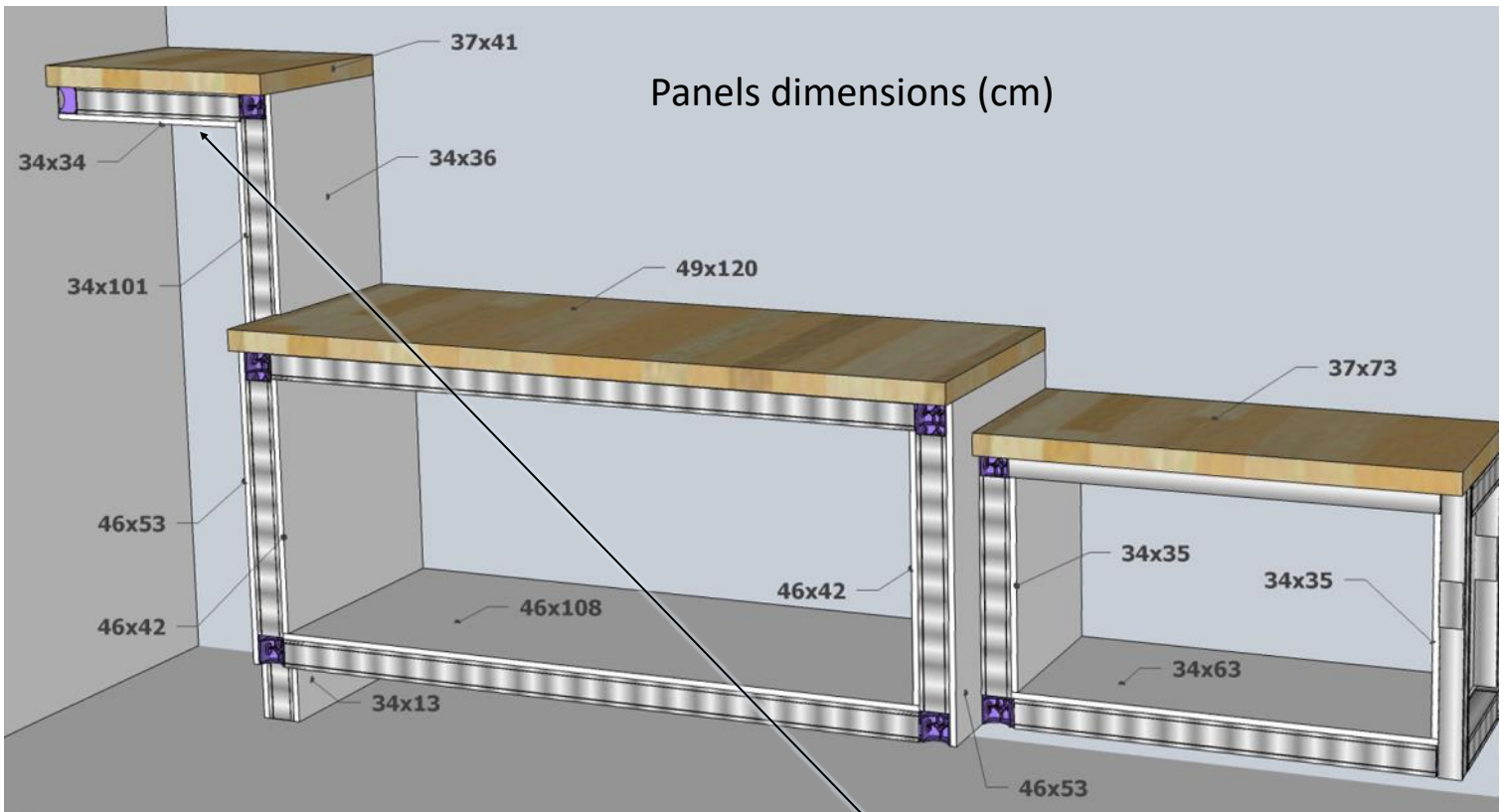
# Material



Studs dimensions (cm)

Long blocks	X 8	
Small blocks	X 37	

C-studs	7 length 2,4 ou 2,5m
Track	~75 cm



Panels dimensions (cm)

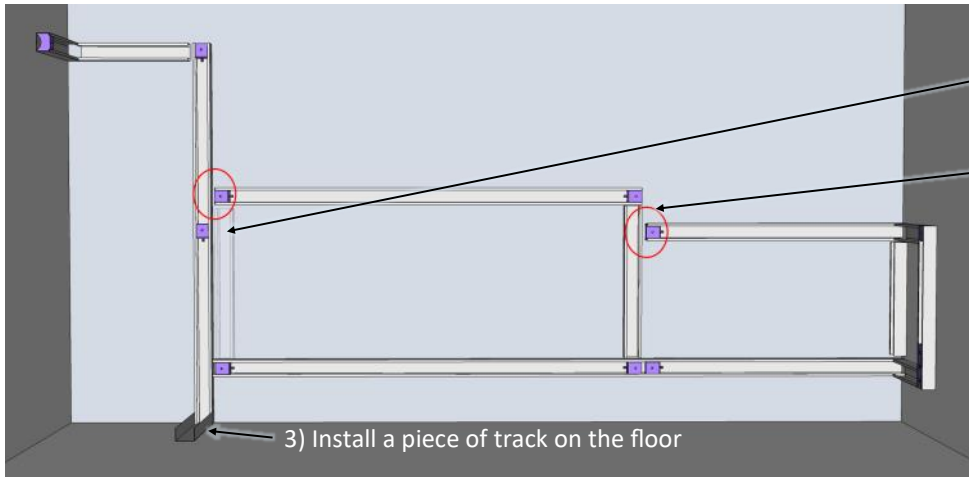
medium de 10 mm

Vanity top: Laminate thick 4cm

Note: horizontal panels only under the left module.



## Construction steps

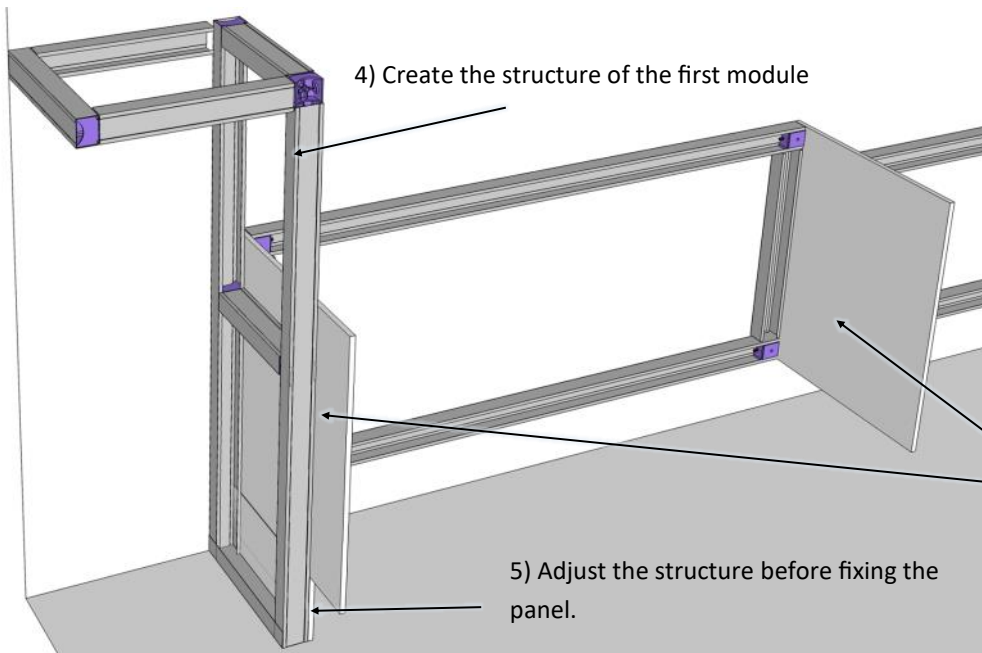


1) Screw the studs into the walls (except for the second vertical studs of the central module)

Leave 1 cm gap between the studs in order to install the 2 vertical panels (see step 6)

2) Install a kinook block at the edges of the studs (see structure plan above)

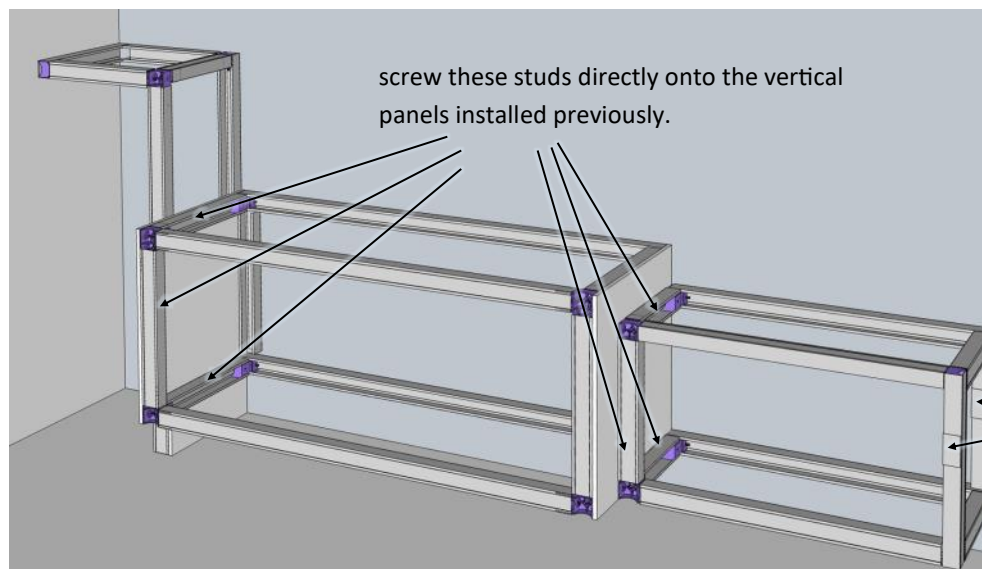
3) Install a piece of track on the floor



4) Create the structure of the first module

6) Fix the two vertical panels (Cut a small notch into the right panel). Screw them tightly into the vertical studs

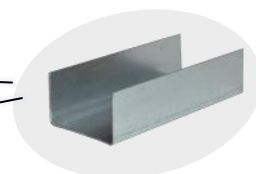
5) Adjust the structure before fixing the panel.

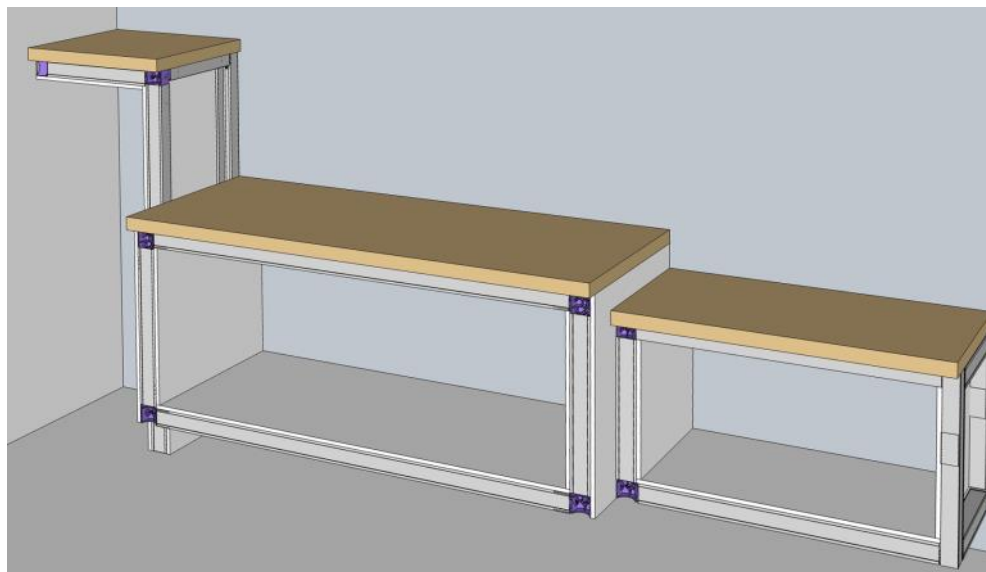


screw these studs directly onto the vertical panels installed previously.

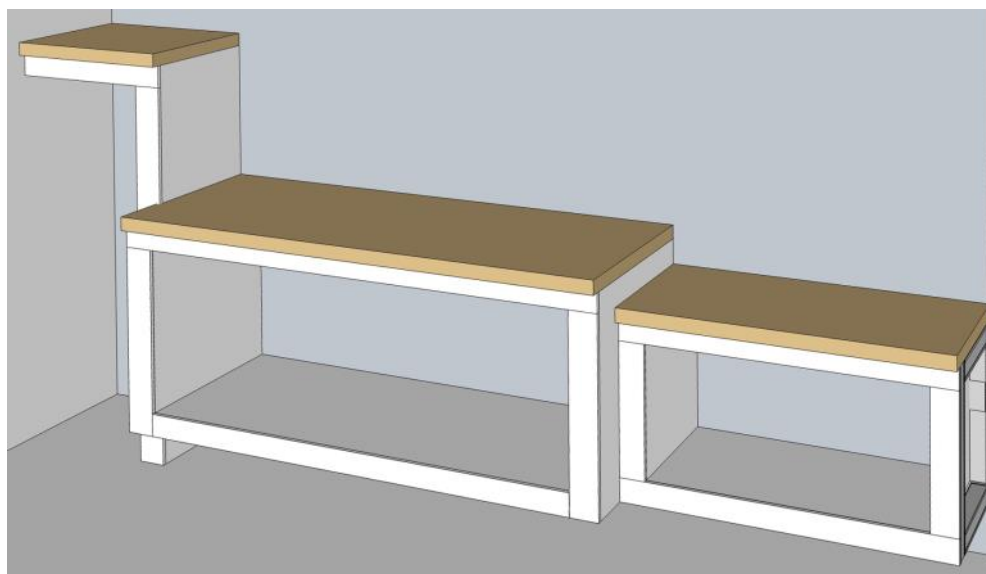
7) Mount the rest of the metallic structure

Crimp two little pieces of track to plug the hollow side of the studs, this will provide a support for the panel board.





8) Install and screw the vanity tops and the panels inside the modules.



9) Band the edges of your structure: use thin bands of medium board (width 7cm) along the edges to cover up the metal studs.

## Finishing

Shelf

drawer



a leg can be added underneath the unit. The right-hand side module can be safely used as a bench